

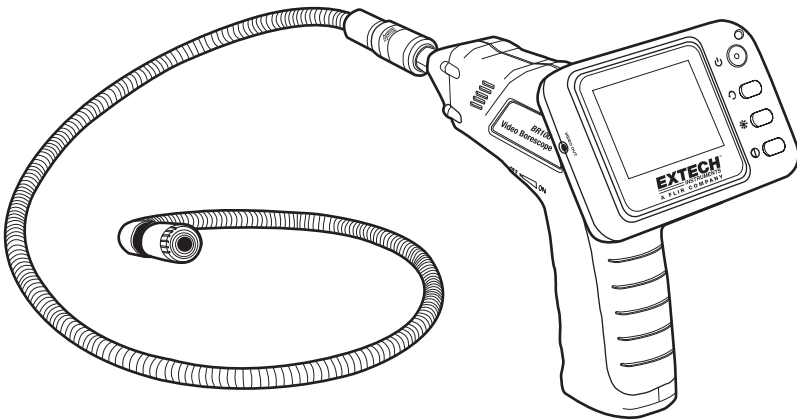
User's Guide

EXTECH[®]
INSTRUMENTS

A FLIR COMPANY

Video Borescope

Model BR100



Introduction

Congratulations on your purchase of this Extech BR100 Video Borescope. This instrument was designed for use as an inspection device. It can be used to peer into tight spots and then supply real-time video and images. Typical applications include HVAC inspection, automotive inspection, cable routing, and automotive/boat/aircraft inspection. This meter is shipped fully tested and, with proper use, will provide years of reliable service.

Warranty

EXTECH INSTRUMENTS CORPORATION (A FLIR COMPANY) warrants this instrument to be free of defects in parts and workmanship for **one year** from date of shipment (a six month limited warranty applies to sensors and cables). If it should become necessary to return the instrument for service during or beyond the warranty period, contact the Customer Service Department at (781) 890-7440 ext. 210 for authorization or visit our website www.extech.com for contact information. A Return Authorization (RA) number must be issued before any product is returned to Extech. The sender is responsible for shipping charges, freight, insurance and proper packaging to prevent damage in transit. This warranty does not apply to defects resulting from action of the user such as misuse, improper wiring, operation outside of specification, improper maintenance or repair, or unauthorized modification. Extech specifically disclaims any implied warranties or merchantability or fitness for a specific purpose and will not be liable for any direct, indirect, incidental or consequential damages. Extech's total liability is limited to repair or replacement of the product. The warranty set forth above is inclusive and no other warranty, whether written or oral, is expressed or implied.

Support line (781) 890-7440

Technical Support: Extension 200; E-mail: support@extech.com

Repair & Returns: Extension 210; E-mail: repair@extech.com

Product specifications subject to change without notice

For the latest version of this User Guide, Software updates, and other up-to-the-minute product information, visit our website: www.extech.com
Extech Instruments Corporation, 285 Bear Hill Road, Waltham, MA 02451

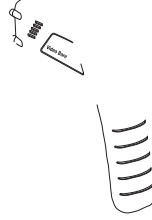
ISO 9001 Certified

Copyright © 2010 Extech Instruments Corporation (a FLIR company)

All rights reserved including the right of reproduction in whole or in part in any form.

Description

- 1 Display
- 2 Handle/Battery compartment
- 3 Power On/Off, Dimmer
- 4 Flexible tube
- 5 Camera head and LED's



- 1 Power indicator
- 2 Display On/OFF
- 3 Power On/Off (side)
- 4 Image orientation
- 5 Brightness
- 6 Contrast
- 7 Video output
- 8 Handle connector (rear)

Safety

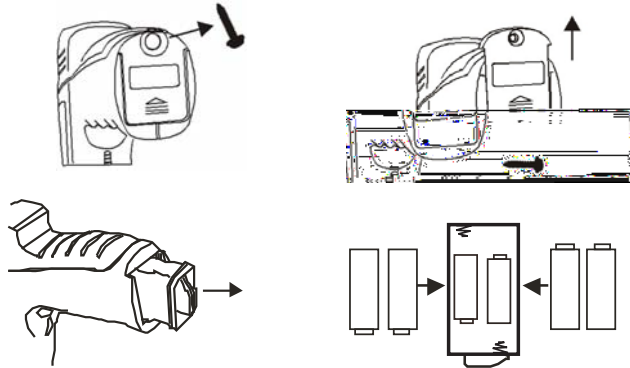
- Do not expose instrument to moisture
- Shut off the instrument when not in use
- Remove the batteries when cleaning the instrument
- Replace all batteries at the same time

Installation

Install the batteries into the instrument body, charge the monitor battery, connect the camera and flexible tube to the body, and install any accessory as needed.

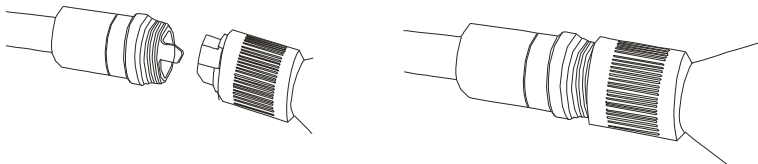
Battery Installation

1. Remove the screw and cover from the base of the handle.
2. Slide out the battery compartment.
3. Replace the four AA batteries observing polarity
4. Reinstall the battery compartment, cover and screw.



Connect the camera and flexible tube

Connect the camera tube to the instrument body; ensure that the keyed ends are properly aligned. Once aligned, tighten the knurled knob to hold the connection firmly in place.



Warning. Permanent damage to the flex tube and loss of operation will occur if the flex tube is subjected to narrow radius or sharp angle bends.

Attaching the Monitor to the instrument body

Insert the connector on the handle into the opening of the connector on the monitor and slide down until the monitor is firmly attached.

Installing the accessory tools

The included accessories (mirror, hook and magnet) all attach to the camera in the same manner. Refer to the diagrams below:

1. Align the tool as shown in the diagram
2. Wrap the strap latch around the head and snap into place.

Video Output

Insert the video cable into the VIDEO OUT socket on the monitor. Insert the other end of the cable into the VIDEO IN jack of a TV or other monitor. The LCD Monitor will output a high quality video image.

Operation

1. Rotate the ON/OFF dial switch to power the camera. The power indicator on the top of the handle will switch on.
2. Further rotation of the switch adjusts the intensity of the two LEDs on the camera head.
3. Slide the On/Off switch on the side of the monitor to the ON position
4. Press the power button on the face of the monitor. The power light will turn on and the picture will appear.
5. Press the orientation button on the face of the monitor to rotate the picture as needed.
6. Press the brightness and contrast buttons in conjunction with the rotating the LED intensity for the best image quality.
7. The tube can be easily maneuvered into position. The tube can be bent into the shape of the area to be examined.
8. Use the supplied accessories to help retrieve small items.

Specifications

CAMERA

| | |
|------------------------------|--|
| Imaging Sensor | CMOS |
| Total Pixels | 712x486(NTSC) |
| Horizontal View Angle | 50 degree |
| Transmission Frequency | 2468MHz |
| Minimum Illumination | 0 Lux |
| Power Supply | 4 x AA batteries |
| Unobstructed Effective Range | 33' (10m) |
| LCD Screen Type | 2.36" TFT-LCD |
| Effective Pixels | 480 x 234 |
| Video Output Level | 0.9-1.3VP-P@75. |
| Receiving Sensitivity | -85dBm |
| Dimensions (Monitor) | (W x D x H) 3.9 x 2.8 x 1.2" (100 x 70 x 30mm) |
| Operating Humidity (Max.) | 15~85%RH |
| Waterproof Capacity | IP67 (imager head only) |
| Dimensions (Handle) | (W x D x H) 7.3 x 5.7 x 1.6" (186 x 145 x 41mm) (Excluding Flexible Tube) |
| Weight (approx) | 15.5 oz. (440g) |
| Camera head Diameter | 0.67" (17mm) |
| Operating Temperature | +14°F~+122°F (-10°C~+50°C) |

Calibration and Repair Services

Extech offers repair and calibration services for the products we sell. Extech also provides NIST certification for most products. Call the Customer Care Department for information on calibration services available for this product. Extech recommends that annual calibrations be performed to verify meter performance and accuracy.